

RESIDENTIAL TRUE OAK® CORRUGATE METER BOX SIDE FLASHING FOR HORIZONTAL CLADDING.

DETAIL NO. RTCW04 | A
DATE DRAWN 30/01/14
FILE REFERENCE RI-RTCW04 | A.DWG

BUILDING WRAP DRESSED INTO
OPENING WITH 50mm RETURN TO
INSIDE OF FRAME WITH WINDOW
FLASHING TAPE INSTALLED OVER
WRAP

SCREW FIXING

ROOFING INDUSTRIES BACK TRAY*
FLASHING RUN FROM TOP OF HEAD
FLASHING TO GROUND OR EXIT POINT

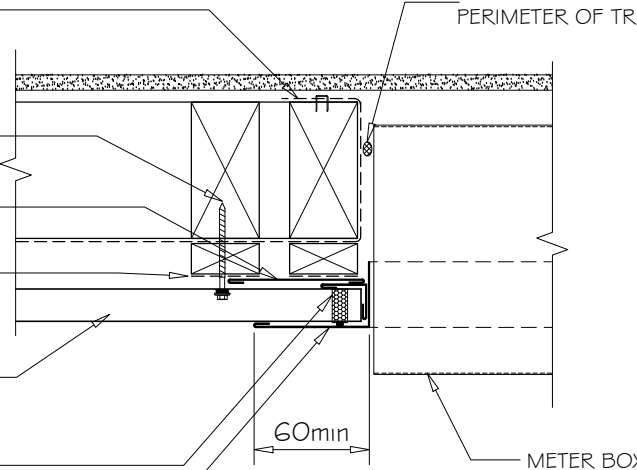
SEPARATION OF BATTEN
AND METAL CLADDING

ROOFING INDUSTRIES
TRUE OAK® CORRUGATE

PROFIED CLOSED CELL FOAM
SET IN SEALANT

SEAL AND RIVET 40x60
COLORSTEEL ANGLE

WATERPROOF AIRSEAL TO
PERIMETER OF TRIM CAVITY



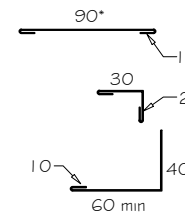
GENERAL NOTES:

(1) CAVITY BATTENS CONTAINING CORROSIVE MATERIAL
MUST BE SEPARATED FROM METAL CLADDING BY DPC,
BUILDING WRAP, PVC OR PAINTING.

METER BOX SIDE HORIZ TRUE OAK® CORRUGATE
1:5

NOTES:

- These details are generally in compliance with E2/AS1 and/or the NZ Metal Roof & Wall Cladding Code of Practice and in some cases specific details by 'Roofing Industries'.
- The building designer is ultimately responsible to ensure that details used meet the requirements of the NZ Building Code for the specific project.
- Details of the supporting structure including cavity battens are indicative only and are the responsibility of the building designer. For steel framed buildings thermal break cavity battens may be required.
- Underlay selection and building wrap types are the responsibility of the designer. Netting or other support is generally required at roof pitches less than 8 degrees combined with a self supporting paper. At roof pitches of 8° and above where non self supporting paper is used or purlin spacing is in excess of self supporting criteria, netting or other support should be used. Alternative support to netting should be used in severe coastal environments including when aluminium is used.
- These details are for Roofing Industries profile/s as nominated and may not be applicable to other profiles.
- This drawing is the copyright of 'Roofing Industries' and can only be copied or reproduced with their permission.
- Further information can be obtained from the NZ Metal Roof & Wall Cladding Code of Practice www.metalroofer.org.nz or E2/AS1



- * Back tray size may require to increase to ensure coverage at ends of head flashing. (Dimensions are indicative only)
Turn down end of head flashing

© COPYRIGHT DETAIL 2014

