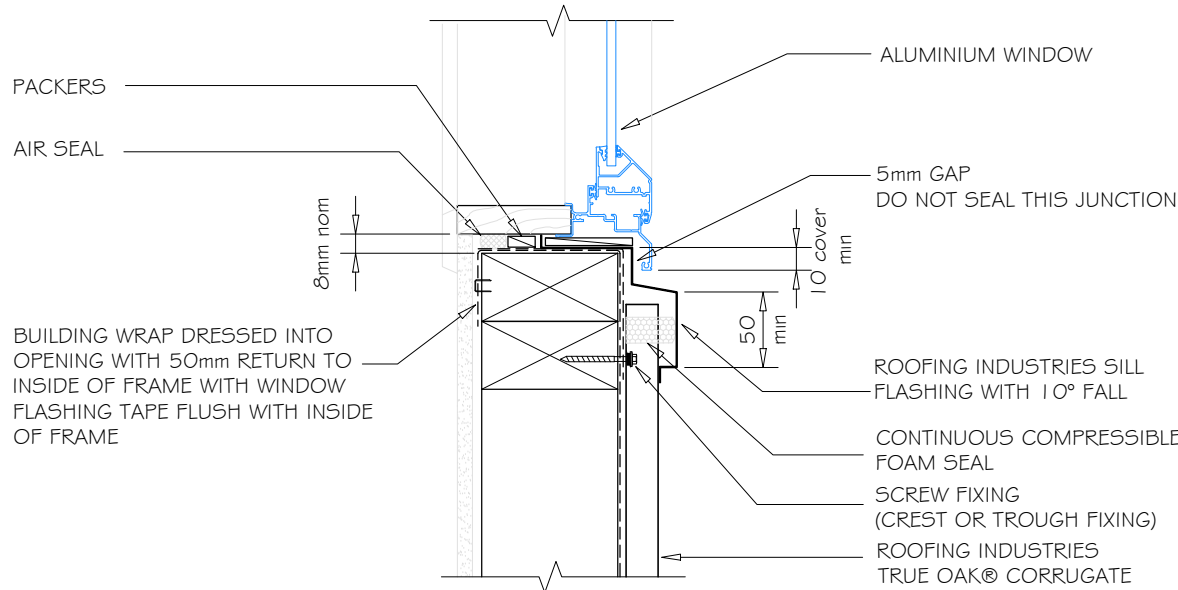


# RESIDENTIAL TRUE OAK® CORRUGATE WINDOW / DOOR SILL FLASHING FOR VERTICAL CLADDING. (Recessed Window/Door)

DETAIL NO. RTCW012C  
 DATE DRAWN 25/05/14  
 FILE REFERENCE RI-RTCW012C.DWG



## GENERAL NOTES:

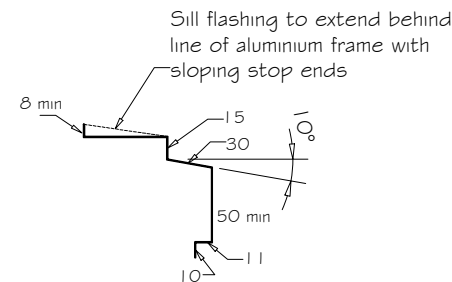
- (1) REFER TO E2/AS1 OR WANZ GUIDE FOR GENERAL WINDOW OPENING FOR WRAPPING OF FRAMED OPENING PRIOR TO WINDOW INSTALLATION.
- (2) A MIN. OF 8mm EFFECTIVE COVER AT SILLS SHALL BE PERMITTED WHERE NECESSARY TO ALLOW FOR TOLERANCES.
- (3) WINDOW PROFILE TO BE SELECTED TO ACHIEVE COVER SHOWN IN DETAILS.
- (4) ARCHITRAVES ARE SHOWN FOR CONSISTENCY ONLY, DETAIL MAY BE USED WITH REBATED LINER.
- (5) WHERE SUPPORT BRACKETS ARE REQUIRED BY THE WINDOW MANUFACTURER TO CARRY THE FRAME AND GLAZING LOADS THEY MUST BE SUPPLIED AS AN INTEGRAL PART OF THE WINDOW MANUFACTURER'S RECOMMENDATIONS.
- (6) LIAISE WITH WINDOW MANUFACTURER PRIOR TO INSTALLATION.

## WINDOW SILL VERTICAL TRUE OAK® CORRUGATE 1:5

REFERENCE FLASHINGS:  
 NZ METAL ROOF AND WALL CLADDING  
 CODE OF PRACTICE WANZ GUIDE, E2/AS1.  
 DIMENSIONS ARE INDICATIVE ONLY.

## NOTES:

- These details are generally in compliance with E2/AS1 and/or the NZ Metal Roof & Wall Cladding Code of Practice and in some cases specific details by 'Roofing Industries'.
- The building designer is ultimately responsible to ensure that details used meet the requirements of the NZ Building Code for the specific project.
- Details of the supporting structure including cavity battens are indicative only and are the responsibility of the building designer. For steel framed buildings thermal break cavity battens may be required.
- Underlay selection and building wrap types are the responsibility of the designer, Netting or other support is generally required at roof pitches less than 8 degrees combined with a self supporting paper. At roof pitches of 8° and above where non self supporting paper is used or purlin spacing is in excess of self supporting criteria, netting or other support should be used. Alternative support to netting should be used in severe coastal environments including when aluminium is used.
- These details are for Roofing Industries profile/s as nominated and may not be applicable to other profiles.
- This drawing is the copyright of 'Roofing Industries' and can only be copied or reproduced with their permission.
- Further information can be obtained from the NZ Metal Roof & Wall Cladding Code of Practice [www.metalroofer.org.nz](http://www.metalroofer.org.nz) or E2/AS1



Sill flashings stop ended to receive jamb flashings (Dimensions are indicative only & show minimum lap covers)

© COPYRIGHT DETAIL 2014

