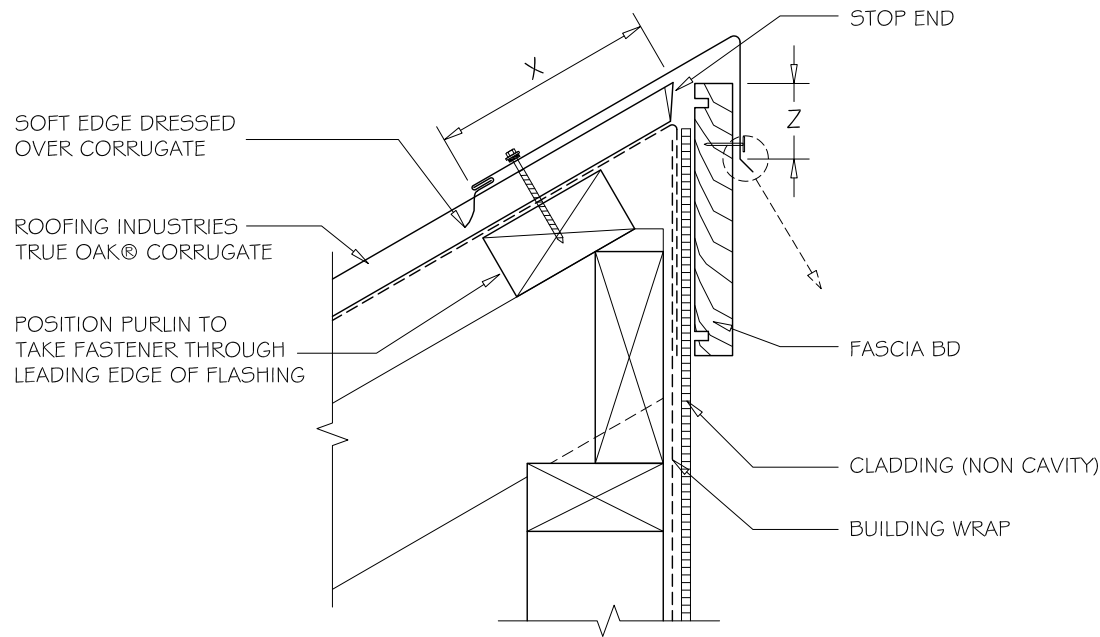


# RESIDENTIAL TRUE OAK® CORRUGATE HEAD BARGE DETAIL (Kick Out)

DETAIL NO. RTCR002A  
 DATE DRAWN 20/01/14  
 FILE REFERENCE RI-RTCR002A.DWG



## ROOF / WALL HEAD BARGE TRUE OAK® CORRUGATED PROFILE

1:5

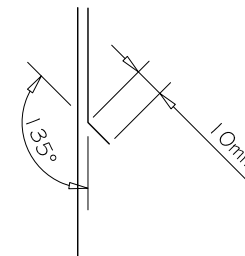
SITE WIND ZONE (As per NZS3604)	MINIMUM	
	Z <sup>(5)</sup>	X
SITUATION 1 <sup>(1)</sup>	50mm <sup>(4)</sup>	150mm <sup>(6)</sup>
SITUATION 2 <sup>(2)</sup>	75mm <sup>(4)</sup>	200mm <sup>(6)</sup>
SITUATION 3 <sup>(3)</sup>	90mm <sup>(4)</sup>	200mm <sup>(6)</sup>

### NOTES:

- (1) SITUATION 1: IN LOW, MEDIUM OR HIGH WIND ZONES, WHERE ROOF PITCH IS 10° OR GREATER.
- (2) SITUATION 2: FOR ALL ROOF PITCHES IN VERY HIGH WIND ZONES, FOR ALL LESSER WIND ZONES WHERE ROOF PITCH IS LESS THAN 10°.
- (3) SITUATION 3: FOR ALL ROOF PITCHES IN EXTRA HIGH WIND ZONES.
- (4) EXCLUDING DRIP EDGE.
- (5) INCREASE DISTANCE 'Z' BY 25mm WHEN AGAINST A PROFILED SURFACE OR TO 100mm WHICHEVER IS THE LESSER.
- (6) EXCLUDING ANY SOFT EDGE OR TURN-DOWN TO ROOFING.

### NOTES:

- These details are generally in compliance with E2/AS1 and/or the NZ Metal Roof & Wall Cladding Code of Practice and in some cases specific details by 'Roofing Industries'.
- The building designer is ultimately responsible to ensure that details used meet the requirements of the NZ Building Code for the specific project.
- Details of the supporting structure including cavity battens are indicative only and are the responsibility of the building designer. For steel framed buildings thermal break cavity battens may be required.
- Underlay selection and building wrap types are the responsibility of the designer. Netting or other support is generally required at roof pitches less than 8 degrees combined with a self supporting paper. At roof pitches of 8° and above where non self supporting paper is used or purlin spacing is in excess of self supporting criteria, netting or other support should be used. Alternative support to netting should be used in severe coastal environments including when aluminium is used.
- These details are for Roofing Industries profile/s as nominated and may not be applicable to other profiles.
- This drawing is the copyright of 'Roofing Industries' and can only be copied or reproduced with their permission.
- Further information can be obtained from the NZ Metal Roof & Wall Cladding Code of Practice [www.metalroofer.org.nz](http://www.metalroofer.org.nz) or E2/AS1



KICK-OUT at bottom edge of vertical flashing

© COPYRIGHT DETAIL 2014

