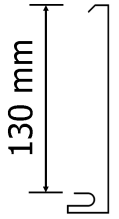
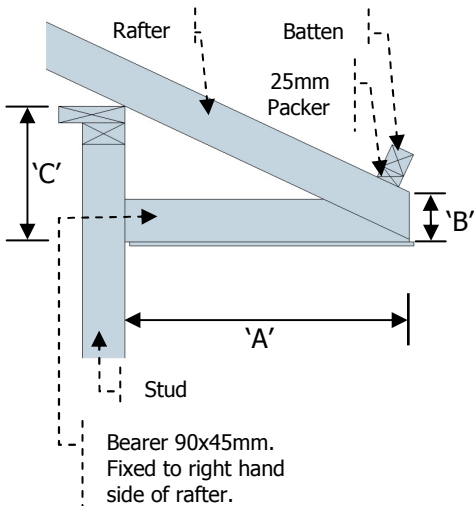


150 Multifit External Fascia

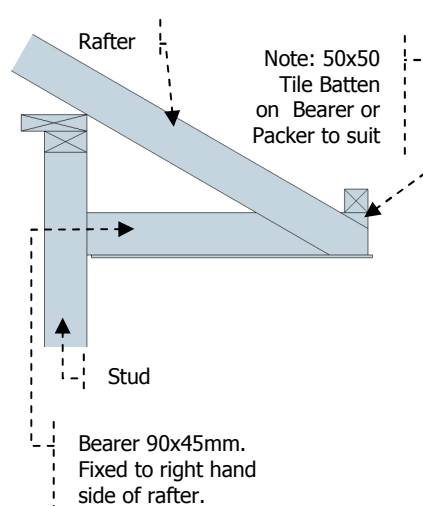
"NEW: Woodgrain Embossed Fascia Available Now!"



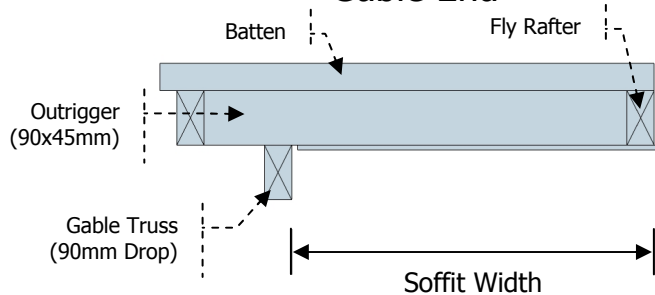
Tile Batten (Option One)



Tile Batten (Option Two)



Gable End



Hip Roof (With No Gables)

Roof Pitch (Degrees)	Soffit Widths Dimension 'A' (mm)					Fascia Drop Dimension 'B' (mm)
	300	450	600	750	900	
	Soffit Drop Heights Dimension 'C' (mm)					
15°	42	82	123	163	203	55
17.5°	55	103	150	197	244	55
20°	68	123	178	232	287	55
22.5°	82	144	206	268	330	55
25°	96	166	235	305	375	55
27.5°	110	188	266	344	422	55
30°	124	211	297	384	471	55
35°	155	260	365	470	575	55
40°	189	315	441	567	693	55
45°	228	378	528	678	828	55

All measurements must be checked on site prior to installation.



Important Set Out Notes:

- Soffit bearer fixed to right hand side of the rafter, looking at the building.
- To ensure birds cannot enter the roof space leave the bottom purlin off until fascia has been installed.
- Based on minimum purlin thickness of 45mm.
- A 10mm soffit clearance has been allowed for.
- 150 Multifit Small Panel Fascia System is suitable for use with longrun/metal tile roofs with sloping soffits up to 35°.
- For gable end roofs, outriggers to be from finished timber size 90x45mm, gable end truss drop 90mm.
- Soffit bearers are required on all hip corners.

Important Product Notes:

- Store product securely on site away from incompatible materials and protect from wind and operating machinery.
- Product surface protected with plastic film should be stored under cover, away from u/v light, and film removed immediately after installation.
- It is a requirement of the products warrantee to obtain and thoroughly read a copy of Roofing Industries handling, storage and installation guide. Available from the supplying branch or alternatively from www.roof.co.nz

Steps To Follow:

- Inform precutter that Multifit External Fascia is being used.
- Keep in contact with the authorised installer in your area of progress/when ready for installation.
- Multifit fascia can be installed to other fascia system set outs, only by a few simple steps. Contact your local installer or Roofing Industries.