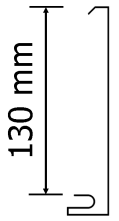


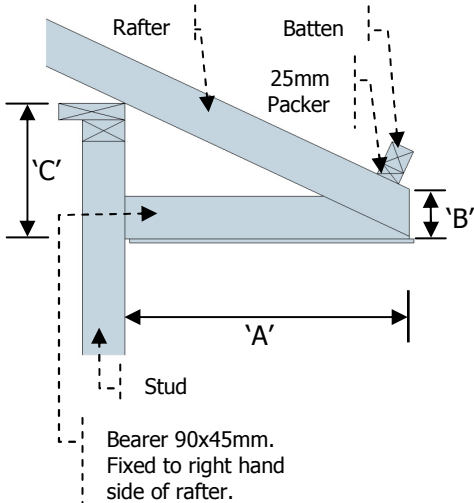
Set Out Details - Concrete Tile (Gable Roof)

150 Multifit External Fascia

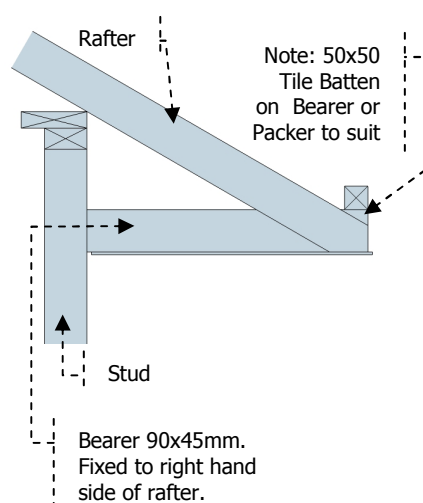
"NEW: Woodgrain Embossed Fascia Available Now!"



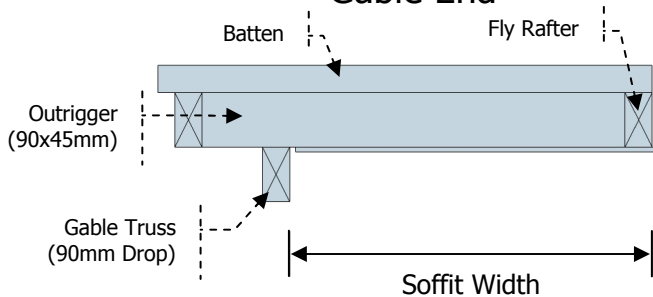
Tile Batten (Option One)



Tile Batten (Option Two)



Gable End



Gable Roof (Any hip/gable roof)

Roof Pitch (Degrees)	Soffit Widths Dimension 'A' (mm)					Fascia Drop Dimension 'B' (mm)
	300	450	600	750	900	
	Soffit Drop Heights Dimension 'C' (mm)					
15°	37	77	118	158	198	50
17.5°	50	98	145	192	239	50
20°	63	118	173	227	282	50
22.5°	82	144	206	268	330	55
25°	96	166	235	305	375	55
27.5°	110	188	266	344	422	55
30°	124	211	297	384	471	55
35°	150	255	360	465	570	50
40°	184	310	436	562	688	50
45°	223	373	523	673	823	50

All measurements must be checked on site prior to installation.



Important Set Out Notes:

- Soffit bearer fixed to right hand side of the rafter, looking at the building.
- To ensure birds cannot enter the roof space leave the bottom purlin off until fascia has been installed.
- Based on minimum purlin thickness of 45mm.
- A 10mm soffit clearance has been allowed for.
- 150 Multifit Small Panel Fascia System is suitable for use with longrun/metal tile roofs with sloping soffits up to 35°.
- For gable end roofs, outriggers to be from finished timber size 90x45mm, gable end truss drop 90mm.
- Soffit bearers are required on all hip corners.

Important Product Notes:

- Store product securely on site away from incompatible materials and protect from wind and operating machinery.
- Product surface protected with plastic film should be stored under cover, away from u/v light, and film removed immediately after installation.
- It is a requirement of the products warrantee to obtain and thoroughly read a copy of Roofing Industries handling, storage and installation guide. Available from the supplying branch or alternatively from www.roof.co.nz

Steps To Follow:

- Inform precutter that Multifit External Fascia is being used.
- Keep in contact with the authorised installer in your area of progress/when ready for installation.
- Multifit fascia can be installed to other fascia system set outs, only by a few simple steps. Contact your local installer or Roofing Industries.