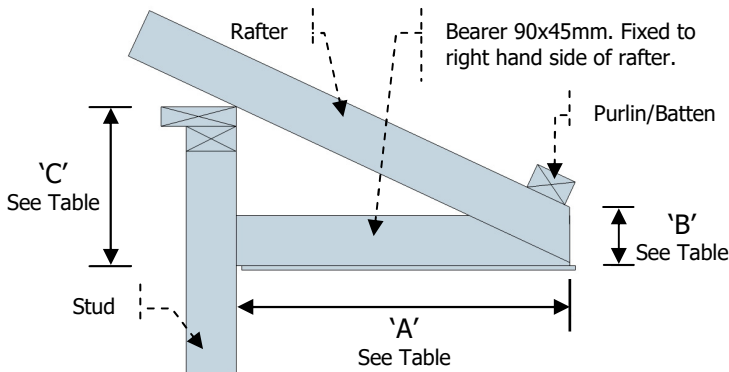
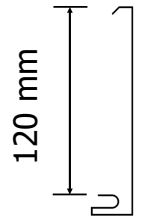
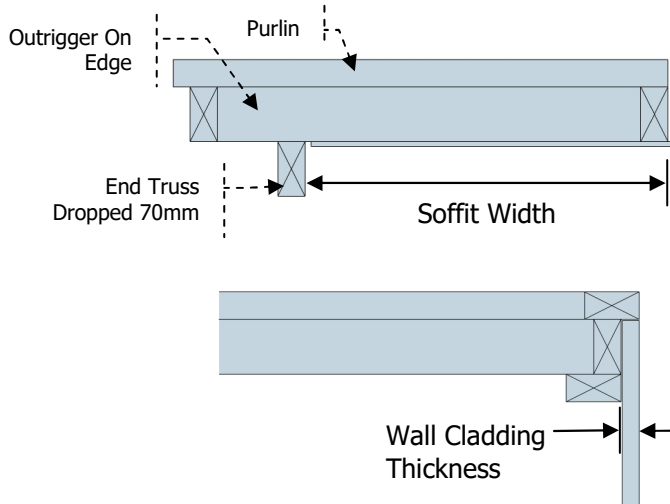


136 Multifit External Fascia

"NEW: Woodgrain Embossed Fascia Available Now!"



Gable End



| Gable Roof (Any hip/gable roof) | | | | | | |
|--|---|-----|-----|-----|-----|--------------------------------------|
| Roof Pitch (Degrees) | Soffit Widths Dimension 'A' (mm) | | | | | Fascia Drop Dimension 'B' (mm) |
| | 300 | 450 | 600 | 750 | 900 | |
| | Soffit Drop Heights Dimension 'C' (mm) | | | | | |
| 15° | 77 | 117 | 158 | 198 | 238 | 90 |
| 20° | 92 | 147 | 202 | 256 | 311 | 79 |
| 25° | 122 | 192 | 261 | 331 | 401 | 81 |
| 30° | 153 | 240 | 326 | 413 | 500 | 84 |
| 35° | 190 | 295 | 400 | 505 | 610 | 90 |
| 40° | 234 | 360 | 486 | 612 | 738 | 100 |
| 45° | 278 | 428 | 578 | 728 | 878 | 105 |
| All measurements must be checked on site prior to installation. | | | | | | |

70 x 45 Fly Rafter Above 15° Pitch.

90 x 45 Fly Rafter Below 15° Pitch.

Important Set Out Notes:

- Soffit bearer fixed to right hand side of the rafter, looking at the building.
- To ensure birds cannot enter the roof space leave the bottom purlin off until fascia has been installed.
- Based on minimum purlin thickness of 45mm.
- A 10mm soffit clearance has been allowed for.
- Multifit Panel Fascia System is suitable for use with sloping soffits up to 35°.
- Soffit bearers are required on all hip corners.

Important Product Notes:

- Store product securely on site away from incompatible materials and protect from wind and operating machinery.
- Product surface protected with plastic film should be stored under cover, away from u/v light, and film removed immediately after installation.
- It is a requirement of the products warrantee to obtain and thoroughly read a copy of Roofing Industries handling, storage and installation guide. Available from the supplying branch or alternatively from www.roof.co.nz

Steps To Follow:

- Inform precutter that Multifit External Fascia is being used.
- Keep in contact with the authorised installer in your area of progress/when ready for installation.
- Multifit fascia can be installed to other fascia system set outs, only by a few simple steps. Contact your local installer or Roofing Industries.