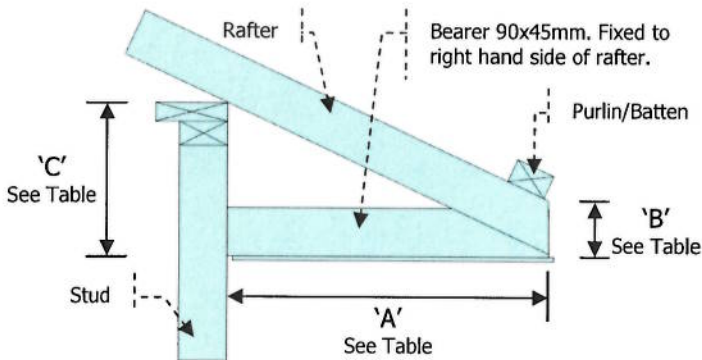
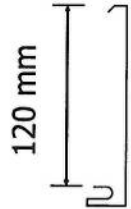


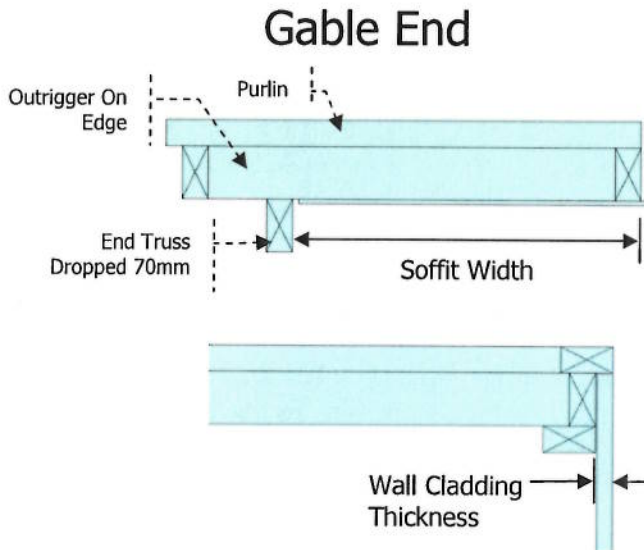
136 Multifit External Fascia

"NEW: Woodgrain Embossed Fascia Available Now!"



Hip Roof (With No Gables)						
Roof Pitch (Degrees)	Soffit Widths Dimension 'A' (mm)					Fascia Drop Dimension 'B' (mm)
	300	450	600	750	900	
Soffit Drop Heights Dimension 'C' (mm)						
15°	77	117	158	198	238	90
20°	92	147	202	256	311	90
25°	122	192	261	331	401	90
30°	153	240	326	413	500	90
35°	190	295	400	505	610	90
40°	234	360	486	612	738	100
45°	278	428	578	728	878	100

All measurements must be checked on site prior to installation.



70 x 45 Fly Rafter Above 15° Pitch.

90 x 45 Fly Rafter Below 15° Pitch.

! Important Set Out Notes:

- Soffit bearer fixed to right hand side of the rafter, looking at the building.
- To ensure birds cannot enter the roof space leave the bottom purlin off until fascia has been installed.
- Based on minimum purlin thickness of 45mm.
- A 10mm soffit clearance has been allowed for.
- Multifit Panel Fascia System is suitable for use with sloping soffits up to 35°.
- Soffit bearers are required on all hip corners.

Important Product Notes:

- Store product securely on site away from incompatible materials and protect from wind and operating machinery.
- Product surface protected with plastic film should be stored under cover, away from u/v light, and film removed immediately after installation.
- It is a requirement of the products warrantee to obtain and thoroughly read a copy of Roofing Industries handling, storage and installation guide. Available from the supplying branch or alternatively from www.roof.co.nz

Steps To Follow:

- Inform precutter that Multifit External Fascia is being used.
- Keep in contact with the authorised installer in your area of progress/when ready for installation.
- Multifit fascia can be installed to other fascia system set outs, only by a few simple steps. Contact your local installer or Roofing Industries.