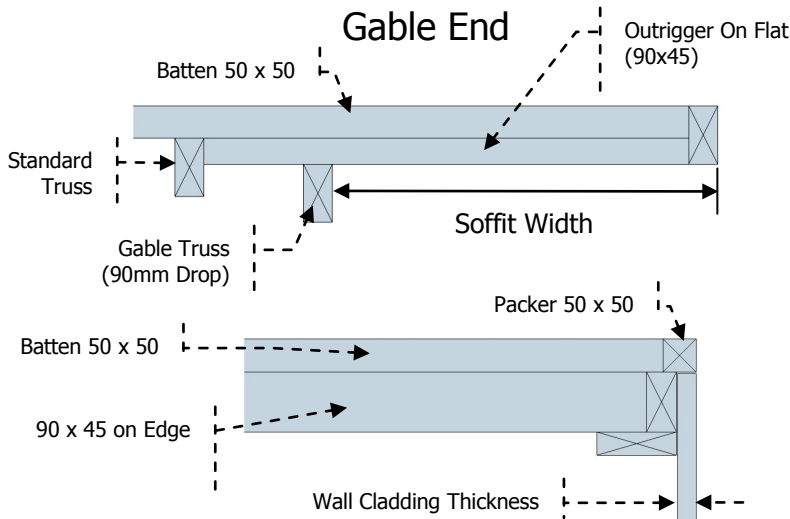
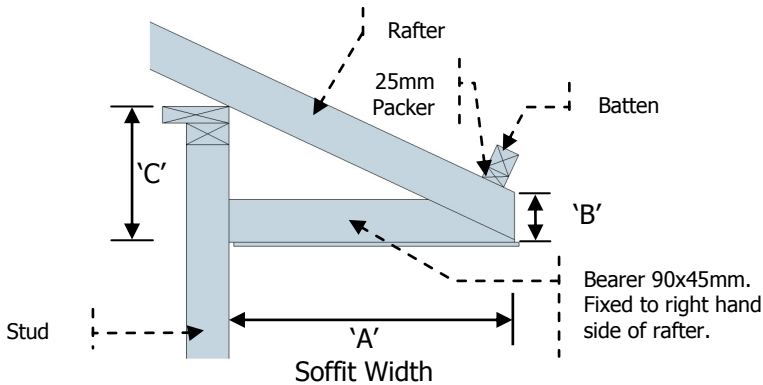
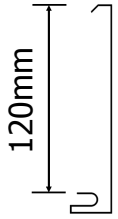


136 Multifit External Fascia

"NEW: Woodgrain Embossed Fascia Available Now!"



Gable Roof (With No Gables)						
Roof Pitch (Degrees)	Soffit Widths Dimension 'A' (mm)					Fascia Drop Dimension 'B' (mm)
	300	450	600	750	900	
Soffit Drop Heights Dimension 'C' (mm)						
15°	37	77	118	158	198	50
17.5°	50	97	145	192	239	50
20°	63	118	173	227	282	50
22.5°	77	139	201	263	325	50
25°	96	166	235	305	375	55
27.5°	110	188	266	344	422	55
30°	124	211	297	384	471	55
35°	150	255	360	465	570	50
40°	184	310	436	562	688	50
45°	218	368	518	668	818	45

All measurements must be checked on site prior to installation.



Important Set Out Notes:

- Soffit bearer fixed to right hand side of the rafter, looking at the building.
- To ensure birds cannot enter the roof space leave the bottom purlin off until fascia has been installed.
- Based on minimum purlin thickness of 45mm.
- A 10mm soffit clearance has been allowed for.
- Multifit Panel Fascia System is suitable for use with longrun/metal tile roofs with sloping soffits up to 35°.
- For gable end roofs, outriggers to be from finished timber size 90x45mm, gable end truss drop 90mm.
- Soffit bearers are required on all hip corners.

Important Product Notes:

- Store product securely on site away from incompatible materials and protect from wind and operating machinery.
- Product surface protected with plastic film should be stored under cover, away from u/v light, and film removed immediately after installation.
- It is a requirement of the products warrantee to obtain and thoroughly read a copy of Roofing Industries handling, storage and installation guide. Available from the supplying branch or alternatively from www.roof.co.nz

Steps To Follow:

- Inform precutter that Multifit External Fascia is being used.
- Keep in contact with the authorised installer in your area of progress/when ready for installation.
- Multifit fascia can be installed to other fascia system set outs, only by a few simple steps. Contact your local installer or Roofing Industries.